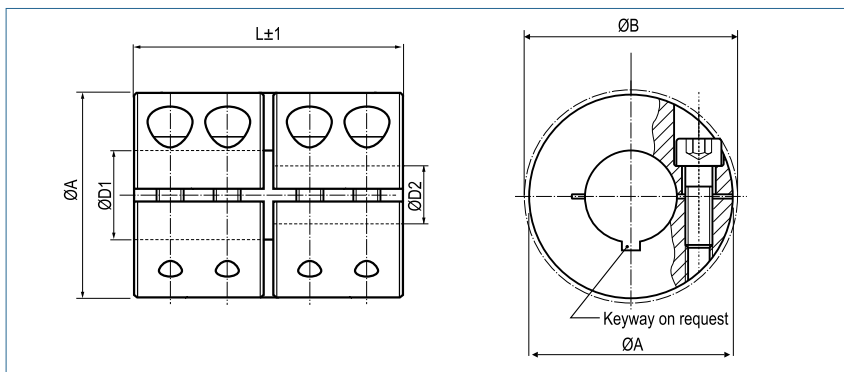


Rigid Shaft Coupling

single slit in stainless steel



Order Code for Standard Coupling

KBST-VA - 50

This coupling will automatically be supplied with unique bore 50H7.

Type Size

Order Code for Coupling with different Bore Diameters

KBST-VA - 50 - 45 - 48

This coupling will be supplied with the dimensions of type KBST-50 but with a bore combination 45H7 - 48H7.

Type Size D1 D2

Rigid shaft coupling - Stainless Steel									
Size	Torque Stainless Steel Nm	Dimensions					Screw (ISO4762)	Tightening Torque Screws Nm	Mass g
		Standard Bore D1 / D2 H7	different Bores min-max	A mm	B mm	L mm			
6	25	6	5-7	18	21.2	30	M3x8	1.6	47
8	40	8	5-12	24	26.8	35	M3x10	1.6	102
10	90	10	5-15	29	32.7	45	M4x12	3.9	185
12	90	12	5-15	29	32.7	45	M4x12	3.9	180
14	160	14	10-17	34	39.1	50	M5x16	7.6	272
15	160	15	10-17	34	39.1	50	M5x16	7.6	266
16	160	16	10-17	34	39.1	50	M5x16	7.6	261
20	300	20	10-24	42	48.2	65	M6x16	13.2	518
25	325	25	10-26	45	50.8	75	M6x16	13.2	623
30	400	30	20-32	53	58.1	83	M6x18	13.2	920
35	925	35	20-40	67	74.1	95	M8x25	32	1880
40	1100	40	30-50	77	83.4	108	M8x25	32	2710
50	1875	50	40-52	85	93.2	124	M10x25	63	3520

Transmittable torque (Nm) depending on shaft diameter (mm)																					
Size	5	6	8	10	12	14	18	20	24	26	28	30	32	38	40	42	44	46	48	50	52
6	15	16																			
8	21	22	23	25	27																
10	44	45	49	52	56	59															
12	44	45	49	52	56	59															
14				93	98	104															
15				93	98	104															
16				93	98	104															
20				167	175	183	199	207	223												
25				179	187	195	211	219	235	243											
30								243	259	267	274	282	290								
35								510	539	553	568	582	597	641	655						
40												655	670	713	728	743	757	772	786	801	
50															1226	1250	1273	1296	1319	1342	1365



Keyways

according DIN 6885/1 are only possible in unique bore diameters.